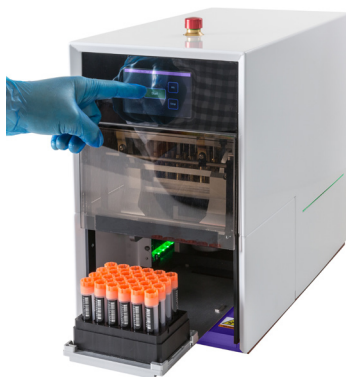
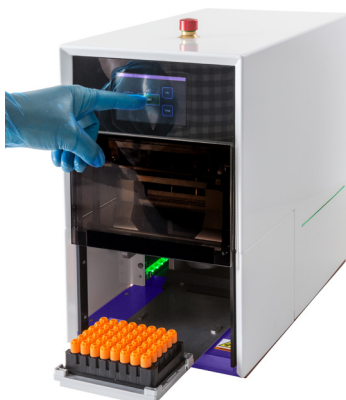




IntelliXcap Technical Specification

IntelliXcap™ is a next-generation capper and de-capper, engineered for increased throughput, ease of use and high system reliability, making the system ideal for any laboratory managing compound libraries or biological sample stores.



Key Features

Advanced Automation Means Increased Throughput

- IntelliXcap is extremely fast and works with multiple sample storage tube types from a range of tube manufacturers in 24, 48 and 96 format
- The only 96-format full rack capper and de-capper capable of de-capping a complete rack of 96 tubes in as little as 20 seconds
- Automation and high speed reduces sample handling time, increasing sample throughput workflow
- Ideal for medium to high-throughput laboratories managing compound libraries, biobanks or other biological samples

Compact, Modular Design Means Ultimate Flexibility

- IntelliXcap features the unique, fully automated, interchangeable cartridge cap driver system
- Cartridge allows format change between different tube types in less than 2 minutes
- Simply by fitting the relevant cartridge, IntelliXcap is compatible with all Azena sample storage tubes, as well as sample storage tubes from Thermo Matrix, Thermo Nunc, LVL, Micronic
- Cartridge is available for both internal and external thread screw-cap tubes
- No need for specialist intervention to change cartridge drivers
- Control is via a quick installation, easy-to-use touch panel

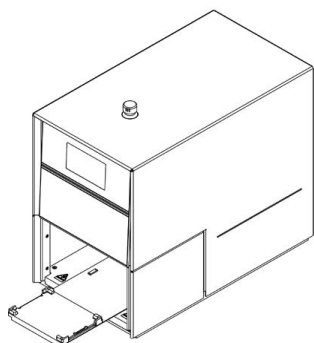
Easy to Use, Easy to Integrate

- Quick installation, easy-to-use touch panels bring instant control
- Wide operating temperature range of 5°C to 40°C
- Electric torque control means less persistent wear on cap drivers
- Easily integrated, sample rack stage extension facilitates fully automated workflow integration

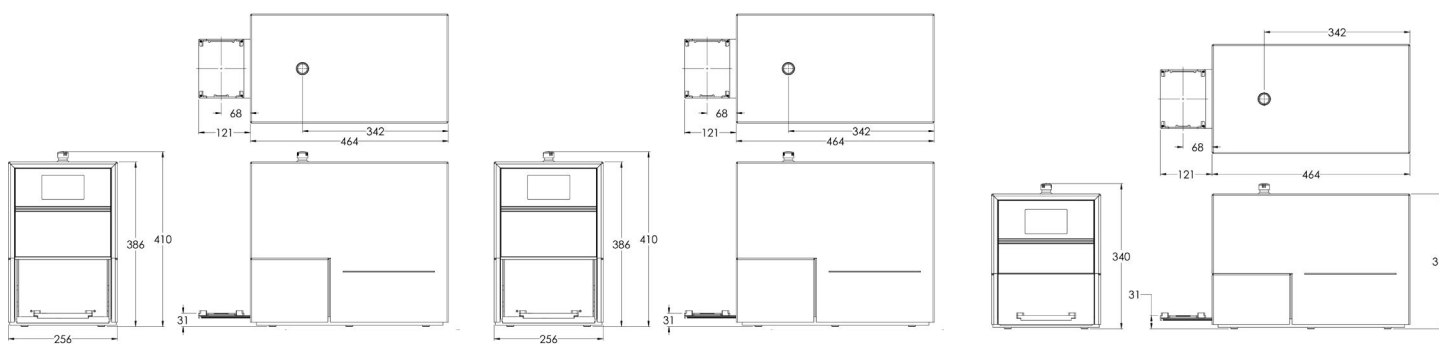


IntelliXcap Technical Specification

IntelliXcap Weights and Dimensions



| Parameter | IntelliXcap 24 | IntelliXcap 48 | IntelliXcap 96 |
|-------------------------------|----------------|----------------|----------------|
| System Height | 386.2mm | 386.2mm | 320mm |
| System Width | 256mm | 256mm | 256mm |
| System Depth | 464.4mm | 464.4mm | 464.4mm |
| Stage Height | 31.7mm | 31.7mm | 31.7mm |
| Stage Width | 138mm | 138mm | 138mm |
| Stage Distance (when ejected) | 136.5mm | 136.5mm | 136.5mm |
| System Weight | 27.96kg | 28.74kg | 26.80kg |

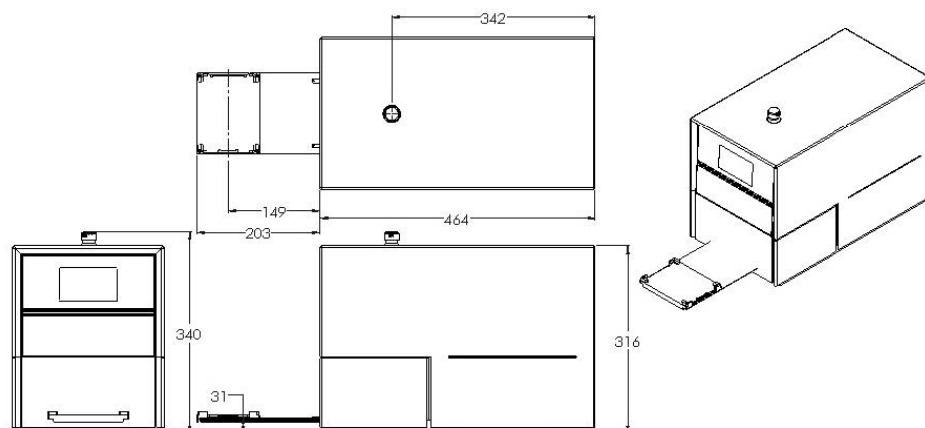


IntelliXcap 24 Channel

IntelliXcap 48 Channel

IntelliXcap 96 Channel

Extended Stage for Automation





IntelliXcap Technical Specification

Environmental Requirements

| Parameter | Specification |
|-------------------------------------|--|
| Temperature - Transport and Storage | 15 - 40° C (59 - 104° F) |
| Temperature - Operation | 0 - 40° C (32 - 104° F) Using the IntelliXcap in an environment where the temperature is 40° C (104° F) or higher for an extended period may cause the screen contrast level of the monochrome LCD to decrease from its original level of brightness |
| Storage Humidity | 10 - 70% RH Wet bulb temperature 39° C (102° F) max, no condensation |
| Relative Humidity | 10 - 90% RH Wet bulb temperature 39° C (102° F) max, no condensation |
| Storage Lighting | All external surfaces are resistant to UV-light. Over time, UV-light might affect LCD panels: LCD screens may fade |
| IP 30 | Protection against small foreign bodies >2.5mm (e.g. a screwdriver), and no protection against water |
| Dust | 0.1mg/m ³ and below (non-conductive levels) |
| Pollution Degree | For use in Pollution Degree 2 environment Decontamination treatment with Hydrogen Peroxide Gas needs to be avoided as it will damage the electronic parts |

Electrical Requirements

| Parameter | Specification |
|---------------------------|--|
| Supply Voltage | 100 - 120 VAC 1/N/PE /220 -240 VAC 1/N/PE Use IEC 320 plugs only Ground must be connected at all times |
| Maximum Power Consumption | 500 W |
| Idle Power Consumption | 100 W |
| Supply Frequency | The machine operates below the noise emissions level: <70 dB(A) |
| Fuses | Two fuses: 100 - 120V AC 5A fuse 220 - 240V AC 5A fuse |
| Insulation Resistance | Not less than 1MΩ at 1,000V Phase 1 = 50GΩ Neutral = 50GΩ |
| UI Connection | RS232 cable |
| Speed | >20 seconds per Rack |
| Air Requirement | N/A |
| Air Input Pressure | N/A |





IntelliXcap Technical Specification

IntelliXcap Performance

| Decapping Torque(*) | Specification |
|---------------------|---------------|
| IntelliXcap 24 | Up to 30N/cm |
| IntelliXcap 48 | Up to 30N/cm |
| IntelliXcap 96 | Up to 9.5N/cm |
| Recapping Torque(*) | |
| IntelliXcap 24 | Up to 15N/cm |
| IntelliXcap 48 | Up to 15N/cm |
| IntelliXcap 96 | Up to 5.5N/cm |

(*)Note: Not a user-configurable parameter

Ordering Information

| | |
|---------|--|
| 46-8012 | Azenta IntelliXcap 96 96-Format Screw Cap Tube Rack Decapper/Capper with automatic glide rail for integration, includes 1 cartridge of choice, please quote tube type when ordering. Suitable for all Azenta tubes and almost all other brands with Azenta cartridges |
| 46-8011 | Azenta IntelliXcap 48 48-Format Screw Top Tube Rack Decapper/Capper with automatic glide rail for integration, includes 1 cartridge of choice, please quote tube type when ordering. Suitable for all Azenta tubes and almost all other brands with Azenta cartridges |
| 46-8010 | Azenta IntelliXcap 24 24-Format Screw Top Tube Rack Decapper/Capper with automatic glide rail for integration, includes 1 cartridge of choice, please quote tube type when ordering. Suitable for all Azenta tubes and almost all other brands with Azenta cartridges |
| 46-8112 | Azenta IntelliXcap Extended Stage for Automation. Suitable for IntelliXcap 24, IntelliXcap 48 and IntelliXcap 96 |