

Sci-Pump

PERISTALTIC PUMP

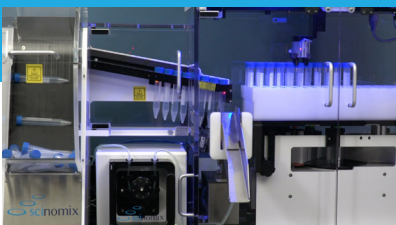
The Peristaltic Pump is designed as a bench-top accessory for the Sci-Print VX2 or Sci-Print VXL, and is ideal for accurately dispensing volumes of 50 uL or more. It is particularly useful for dispensing multiple tubes of the same reagent type. While it can handle a variety of fluids, it is best suited for aqueous solutions.

- Small benchtop footprint saves valuable space
- Adds liquid dispensing to the VX Series tube handling system.
- Provides highly reproducible flow rates required for precision applications in clinical diagnostics, life sciences research or analytical chemistry.
- Dispenses liquid in a non-contact fashion using self-contained, flexible tubing that reduces the risk of cross-contamination.
- Uses high quality tubing and nylon barbs designed for the long life of all fluid contact surfaces with little wear.
- Optional tubing kit available for purchase



About Scinomix

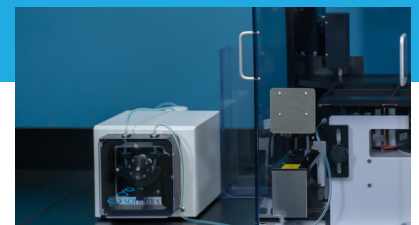
At Scinomix, our mission is to be a leading provider of laboratory automation systems to customers in the Life Science Industry by providing innovative solutions and committing to quality, reliability, value, and customer service.



Integrates with the Scinomix VX Series tube handling system



Self-contained, flexible tubing reduces the risk of cross-contamination

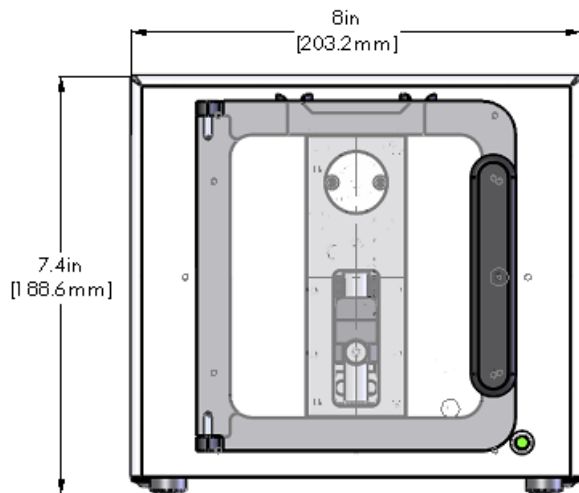


Small footprint saves valuable space

SCI-PUMP SPECIFICATIONS

Required Equipment	Sci-Print VX Series
Available Accessories	N/A
Input Power Requirements	110–240 VAC 50/60 Hz 80W (Max)
PC Requirements	N/A
Network Requirements	RS232 Serial
Operating Environment	(Indoor use only) Temperature: 5° to 90°F (10° to 32°C) Humidity: 20% to 80% non-condensing Altitude: Up to 6500ft (2000M)
Physical Dimensions	8" (203.2mm) W x 10" (253.6mm) D x 7.4" (188.6mm) H Weight: 12.2 lbs. (5.4kg)
Air Requirements	N/A
Capacity	N/A
Labwear (Tube, Rack, Plate) Specifications	N/A
Average Throughput	Flow rate dependent on tubing, speed and setup.
Transport/Storage Condition	Temperature: -5° to 105°F (-20° to 40°C) Humidity: 20% to 80% non-condensing
Certifications	CE, FCC

Front View



Side View

