

# WESTLAB CELL CULTURE FLASK



## SPECIFICATION SHEET

- Ergonomic design to facilitate easy handling and minimize contamination
- Short & wide neck with angled design allow easy access
- Excellent stackability



# WESTLAB CELL CULTURE FLASK



## 1. DESCRIPTION

Westlab's Cell Culture Flasks are ergonomically designed for easy handling, while achieving minimal contamination during cell culture. Short, wide and angled neck design enables easy access of serological pipettes and cell scrapers. Flasks are divided into 6 types, depending on the culture scale and the cap type. Cell growth area for T25, T75 and T175 are 25 cm<sup>2</sup>, 75 cm<sup>2</sup>, and 175 cm<sup>2</sup> respectively. Each flask can be provided with plug or filter caps.



## 2. FEATURES

- ✓ Ergonomic design to facilitate easy handling and minimize contamination
- ✓ Short & wide neck with angled design allow easy access
- ✓ Excellent stackability
- ✓ Plugs & filter caps are available for all flask models
- ✓ Cell growth area ranging from 25 cm<sup>2</sup>, 75 cm<sup>2</sup>, 175 cm<sup>2</sup>, 225 cm<sup>2</sup>
- ✓ Non-treated models (for suspension culture) are provided with white caps



## 3. TEST

✓ Sterility	Passed
✓ Cytotoxicity	Passed
✓ Non-Pyrogenic	Passed
✓ RNase/DNase free	Passed
✓ DNA free	Passed

# WESTLAB CELL CULTURE FLASK

## 4. PRODUCT RANGE

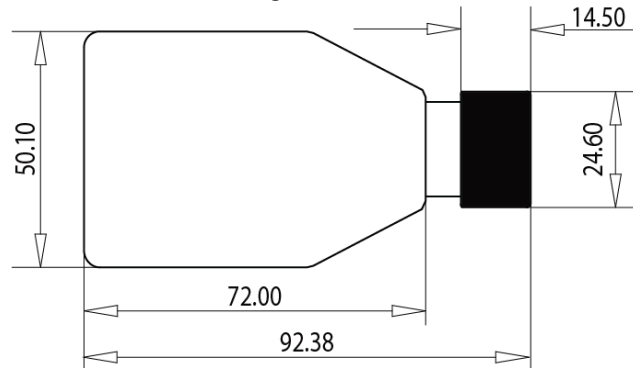
Cat.No.	Material	Cap Type	Growth Area (cm <sup>2</sup> )	Working Volume (ml)	Total Volume (ml)	Surface Treatment	Sterile	Packaging
664-779	PS	Filter	25	7	60	Yes	Yes	5 / 200
664-764	PS	Filter	25	7	60	Yes	Yes	5 / 200
664-766	PS	Filter	25	7	60	No	Yes	5 / 200

## 6. SPECIFICATIONS AND TECHNICAL DRAWING

### 1) T25 Cell Culture Flask (664-779) - Specifications

Dimensions		Material (Resin)	Packaging
Cap	Body		
Width: 24.60 mm Height: 14.50 mm	Length: 72.00 mm Width: 50.10 mm Height: 27.60 mm	Crystal-grade polystyrene (PS)	<ul style="list-style-type: none"> <li>• Pieces/Sleeve: 5</li> <li>• Pieces/Case: 200</li> </ul>
Total Volume: 60.00 ml Growth Area: 25.00 cm <sup>2</sup>			

**Cell Culture-Treated (664-779) - Green Caps**  
**Working Volume: 7.00 ml**



# WESTLAB CELL CULTURE FLASK

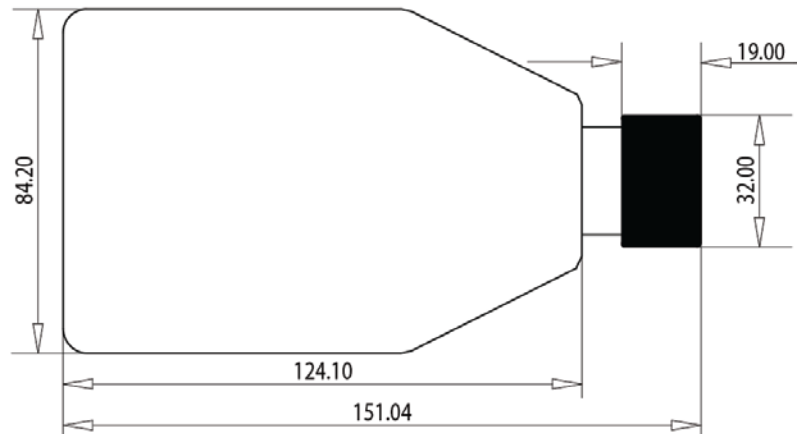


## 6. SPECIFICATIONS AND TECHNICAL DRAWING (CONT)

2) T75 Cell Culture Flask (664-764)  
- Specifications

Cap		Dimensions		Material (Resin)	Packaging
		Body			
Width:	32.00 mm	Length:	124.10 mm	Crystal-grade polystyrene (PS)	<ul style="list-style-type: none"> <li>• Pieces/Sleeve: 5</li> <li>• Pieces/Case: 100</li> </ul>
Height:	19.00 mm	Width:	84.20 mm		
		Height:	39.60 mm		
Total Volume:		250.00 ml			
Growth Area:		75.00 cm <sup>2</sup>			

Cell Culture-Treated (664-764) - Green Caps  
Working Volume: 25.00 ml



# WESTLAB CELL CULTURE FLASK

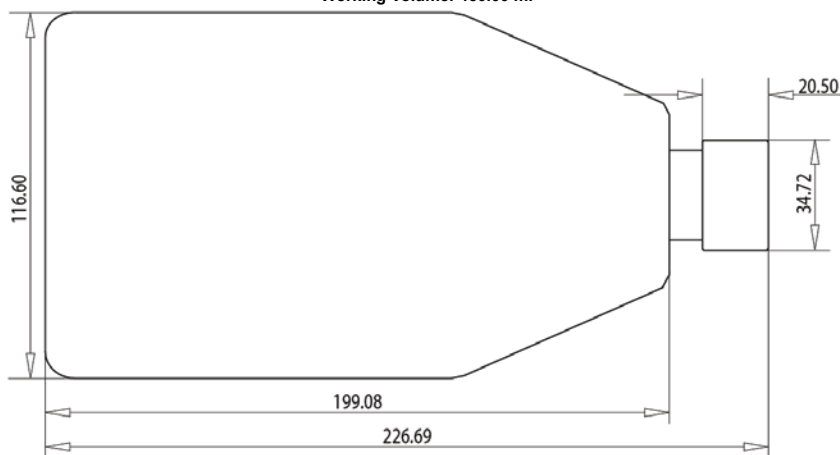


## 6. SPECIFICATIONS AND TECHNICAL DRAWING (CONT)

(3) T175 Cell Culture Flask (664-766)  
- Specifications

Dimensions				Material (Resin)	Packaging
Cap		Body			
Width:	34.72 mm	Length:	199.08 mm	Crystal-grade polystyrene (PS)	<ul style="list-style-type: none"> <li>• Pieces/Sleeve: 5</li> <li>• Pieces/Case: 40</li> </ul>
Height:	20.50 mm	Width:	116.60 mm		
		Height:	40.00 mm		
Total Volume:		450.00 ml			
Growth Area:		175.00 cm <sup>2</sup>			

Non-Treated (664-766) - White Caps  
Working Volume: 450.00 ml



## ORDERING WITH WESTLAB IS EASY...

### ONLINE

[www.westlab.com.au](http://www.westlab.com.au)

Order online with our easy Express  
Order form for fast, secure ordering.

### PHONE

**1800 358 101**

Speak to one of our  
friendly, efficient staff  
from 8.00am to 5.00pm Monday to  
Friday.

### EMAIL

[sales@westlab.com.au](mailto:sales@westlab.com.au)

24 hours, 7 days a week convenience.

### FAX

**1300 725 903**

Order via fax and we will confirm your  
order and delivery details at the end  
of the day.